

# PROSAFE Tower

## SPAN 500

Designed to meet Work  
at Height Regulations

Suitable for Electrical  
Applications

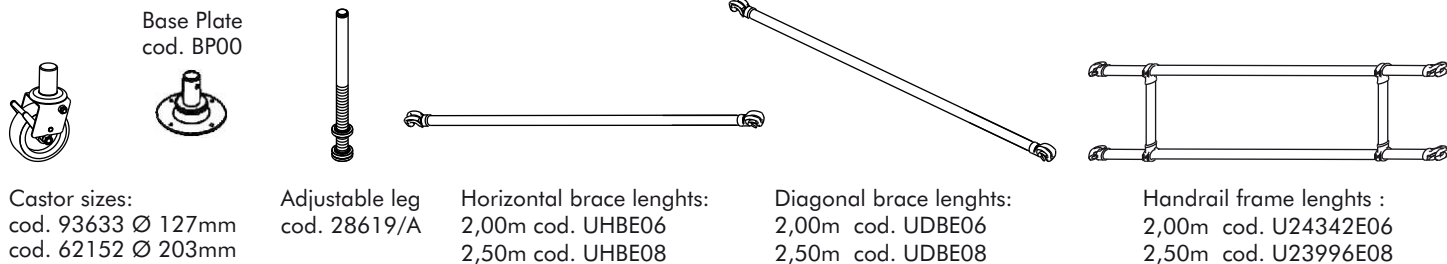
Suitable for use in zone 1  
Classified Areas

CERTIFIED:  
DIN EN 1004:2005-05

SERIES:  
33"/0,85m Narrow Width  
57"/1,45m Double Width  
6'-8'/2,00-2,50m Length



# COMPONENTS



Castor sizes:  
 cod. 93633 Ø 127mm  
 cod. 62152 Ø 203mm

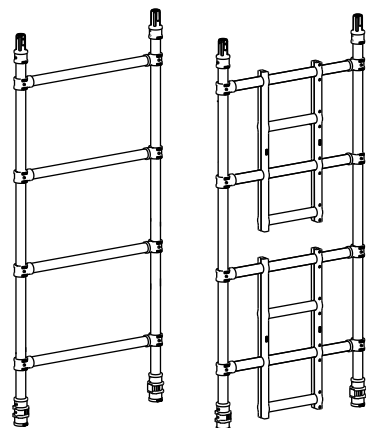
Adjustable leg  
 cod. 28619/A

Horizontal brace lengths:  
 2,00m cod. UHBE06  
 2,50m cod. UHBE08

Diagonal brace lengths:  
 2,00m cod. UDBE06  
 2,50m cod. UDBE08

Handrail frame lengths :  
 2,00m cod. U24342E06  
 2,50m cod. U23996E08

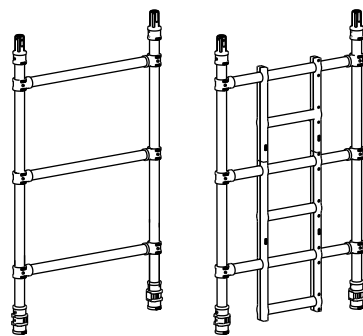
## Narrow Frames 2,00m/4rung:



cod. UFR3379A

cod. UFR3379L

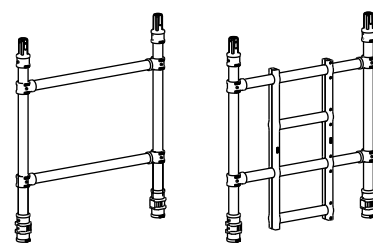
## Narrow Frames 1,50m/3rung:



cod. UFR3359A

cod. UFR3359L

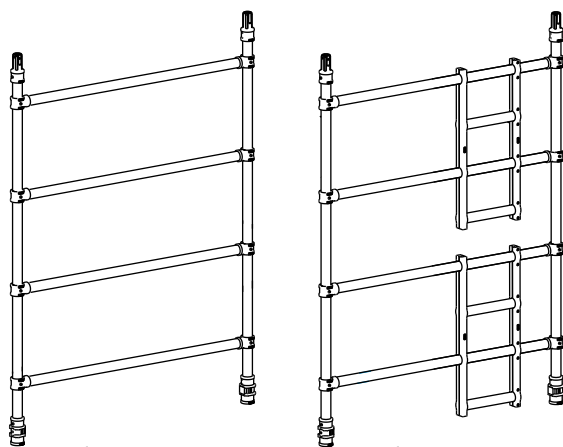
## Narrow Frames 1,00m/2rung:



cod. UFR3339A

cod. UFR3339L

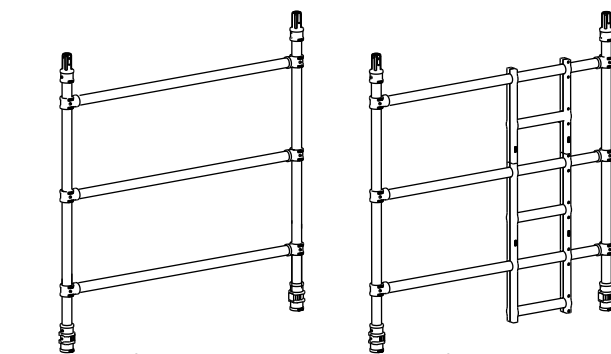
## Double Frames 2,00m/4rung:



cod. UFR5779A

cod. UFR5779L

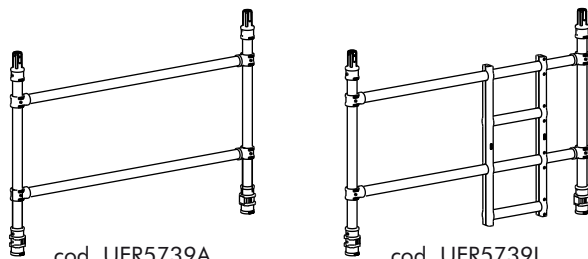
## Double Frames 1,50m/3rung:



cod. UFR5759A

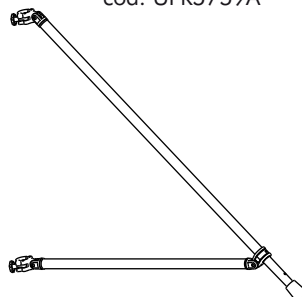
cod. UFR5759L

## Double Frames 1,00m/2rung:

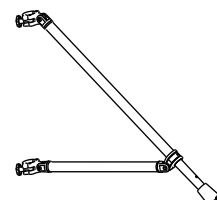


cod. UFR5739A

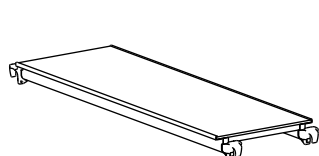
cod. UFR5739L



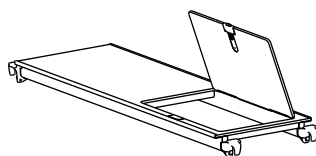
Large Outrigger  
 cod. PSXE66 GRP



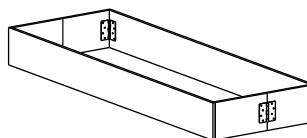
Medium Outrigger  
 cod. PSRE42 GRP



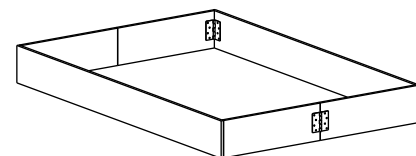
Standard platform lengths:  
 2,00m – cod. USPE06-61  
 2,50m – cod. USPE08-61



Hatch platform lengths:  
 2,00m – cod. UHPE06-61  
 2,50m – cod. UHPE08-61



Narrow Toeboard lengths:  
 2,00m cod. WTB2906-61  
 2,50m cod. WTB2908-61



Double Toeboard lengths:  
 2,00m cod. WTB5406-61  
 2,50m cod. WTB5408-61

Product specifications are subject to change without notice or obligation. Technical features and drawings in this brochure are for illustrative purposes only SPAN 500 - ed. 06/19