

GRPPODIUM

Designed to meet Work
at Height Regulations

Compliant with PAS250

Suitable for Electrical
Applications

Folding and trasportable
on wheels

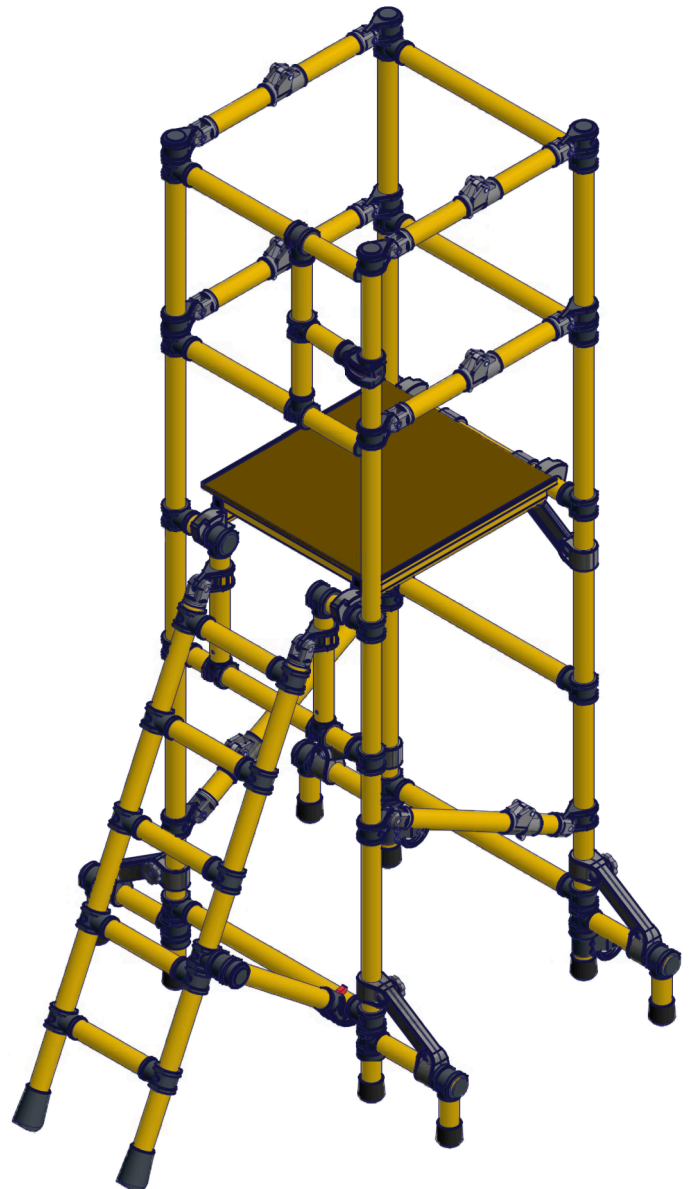
SERIES/MODELS:

0,95m without outriggers

1,25m with outriggers

1,50m with outriggers

  150kg



FIBREGLASS PODIUM

- The company mission is to combine performance with functionality in order to provide a top quality product.
- A professional approach to the customer needs and the awareness of offering a unique product constitute a further strength.
- The compound material we use offers the best performance even when the work environment is governed by strict health and safety regulations.
- Fibreglass is the ideal material for both civil and industrial applications thanks to its high mechanical and chemical resistance, as well as its low maintenance and non-rusting properties.

SAFETY SAFETY SAFETY



Insulating



Suitable for outdoor environments



Mobile



Heat and cold resistant



Lightweight



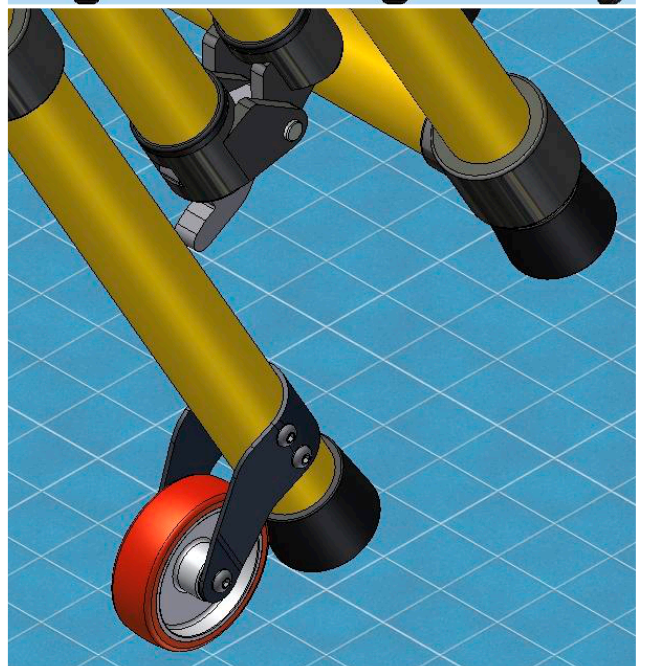
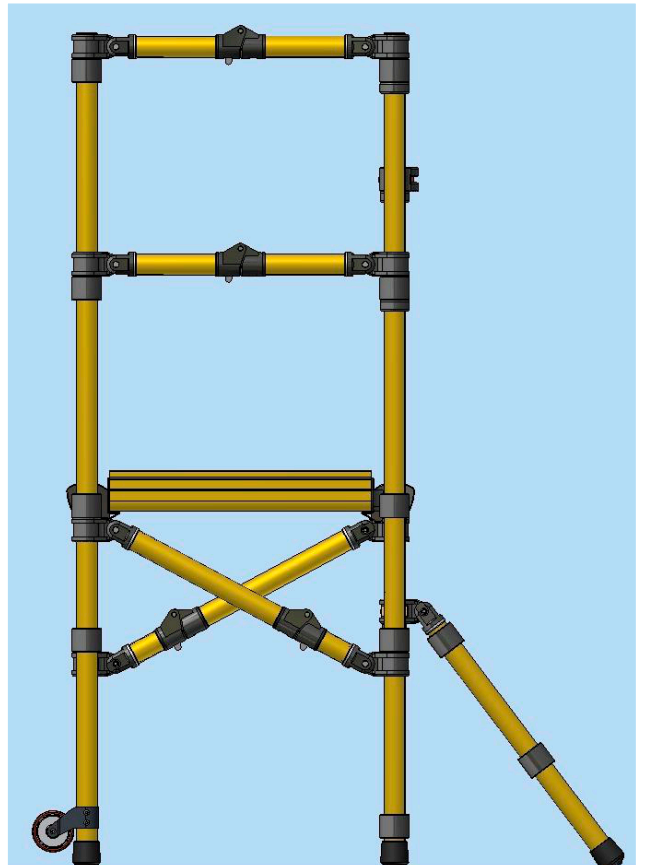
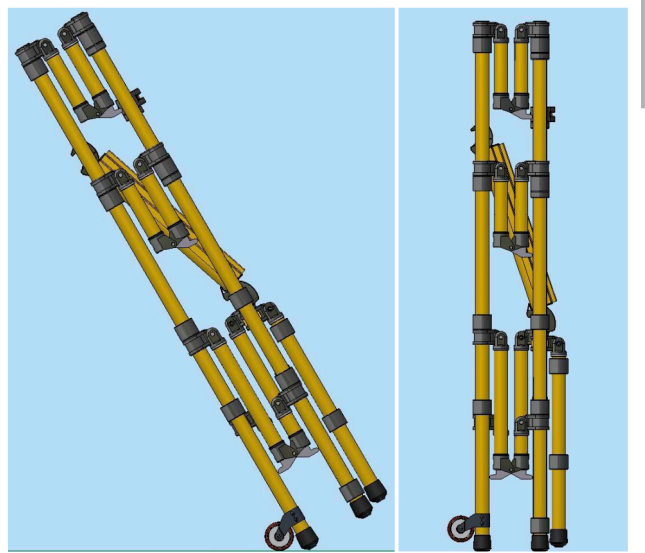
Resistant to harmful agents



Easy to clean



Easy to erect



	P O D I U M S E R I E S		
DIMENSIONS:	Model 0,95	Model 1,25	Model 1,50
Lenght	0,73m	0,73m	0,73m
Width	0,73m	0,73m	0,73m
Height	2,00m	2,30m	2,55m
Platform Height	0,95m	1,25m	1,50m
Platform	0,60m x 0,63m	0,60m x 0,63m	0,60m x 0,63m
Weight	37 + 7Kg	44 + 7Kg	45 + 7Kg
Max Load	150Kg	150Kg	150Kg