

PROSAFE Tower

SPAN 500

SERIES:

33"/0,85m Narrow Width

57"/1,45m Double Width

6'-8'/2,00-2,50m Length

CERTIFIED:

DIN EN 1004-1:2021-02

DIN EN 1004-2:2022-03



Compliant to 3T Assembly Process

Tested by

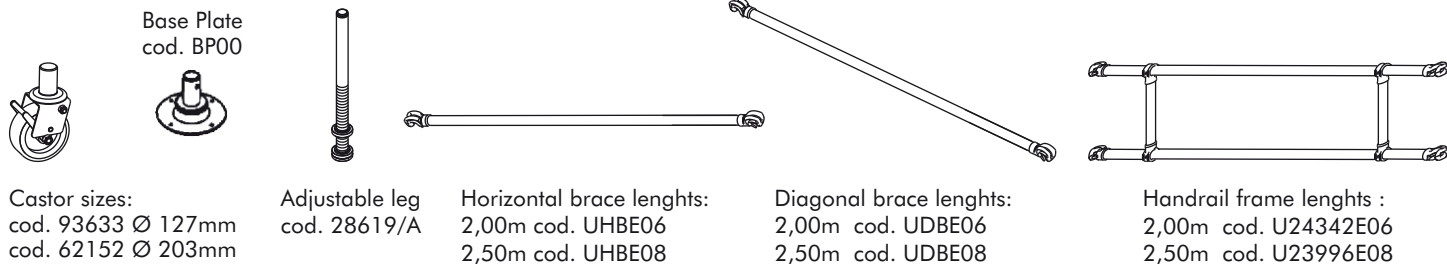
Designed to meet Work
at Height Regulations

Suitable for Electrical
Applications

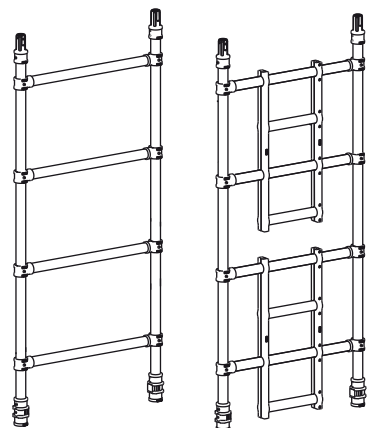
Suitable for use in zone 1
Classified Areas



COMPONENTS



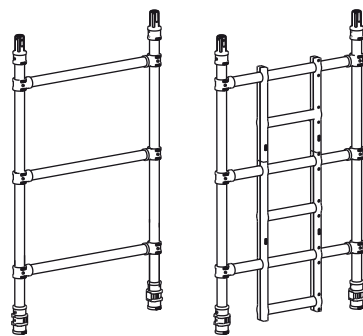
Narrow Frames 2,00m/4rung:



cod. UFR3379A

cod. UFR3379L

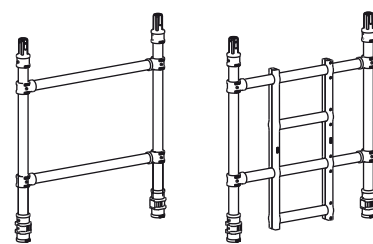
Narrow Frames 1,50m/3rung:



cod. UFR3359A

cod. UFR3359L

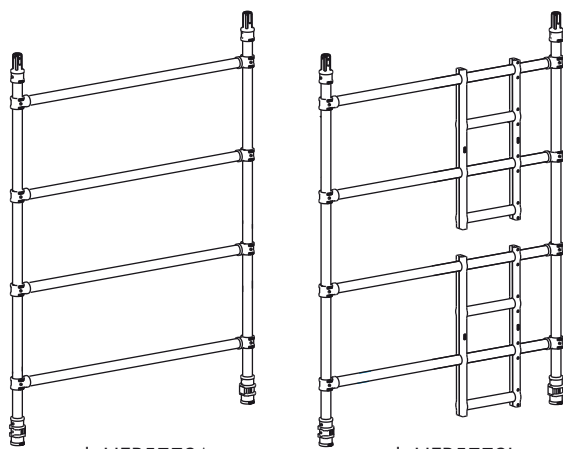
Narrow Frames 1,00m/2rung:



cod. UFR3339A

cod. UFR3339L

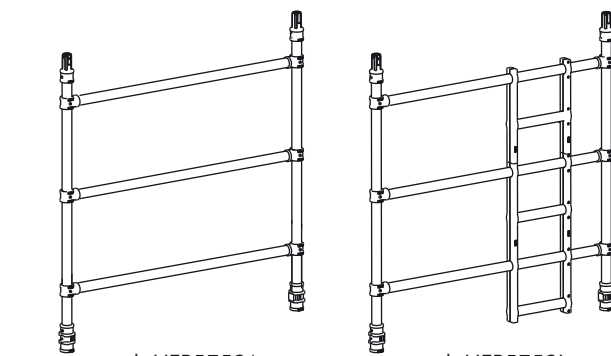
Double Frames 2,00m/4rung:



cod. UFR5779A

cod. UFR5779L

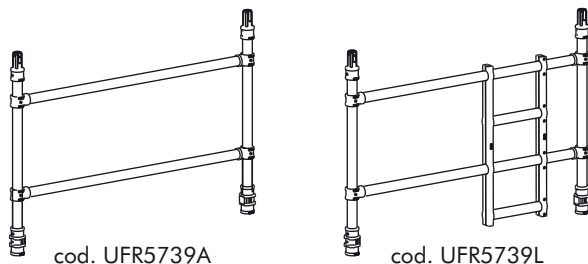
Double Frames 1,50m/3rung:



cod. UFR5759A

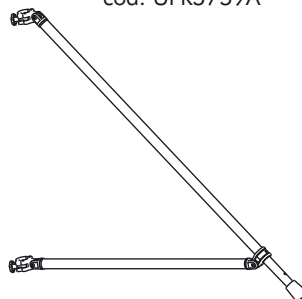
cod. UFR5759L

Double Frames 1,00m/2rung:

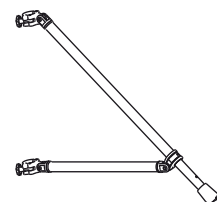


cod. UFR5739A

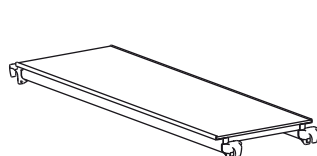
cod. UFR5739L



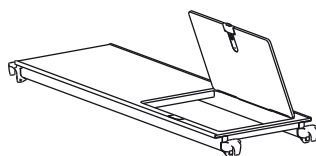
Large Outrigger
cod. PSXE66 GRP



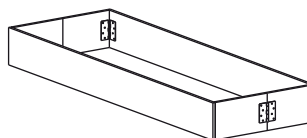
Medium Outrigger
cod. PSRE42 GRP



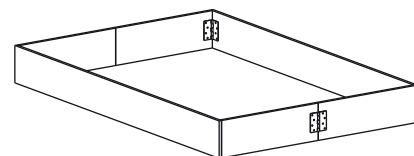
Standard platform lengths:
2,00m – cod. USPE06-61
2,50m – cod. USPE08-61



Hatch platform lengths:
2,00m – cod. UHPE06-61
2,50m – cod. UHPE08-61



Narrow Toeboard lengths:
2,00m cod. WTB2906-61
2,50m cod. WTB2908-61



Double Toeboard lengths:
2,00m cod. WTB5406-61
2,50m cod. WTB5408-61